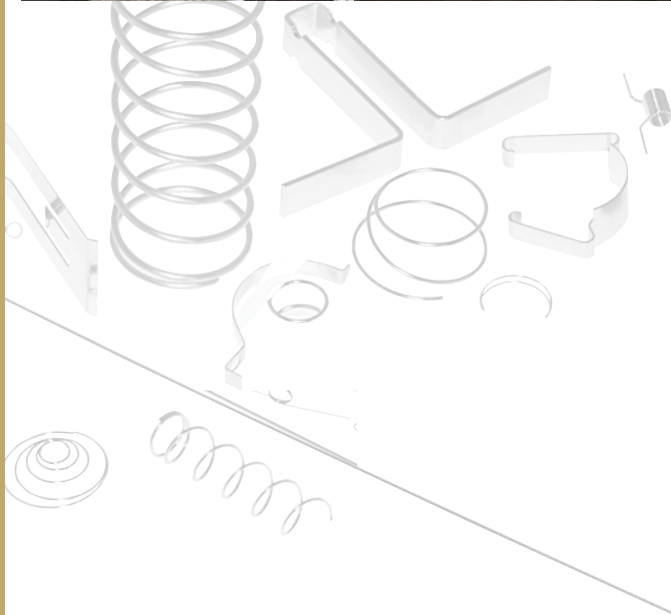


# *The experience is the difference — proven results for over 75 years.*



**F**ounded in 1942, Springfield Spring & Stamping provides custom components, parts, and contract manufacturing services to local businesses and companies around the globe.

We offer a customer-centric, service-based, technologically advanced manufacturing model we call The Springfield Spring Experience. We are here to assist you with product development and design, prototyping and beyond.

We are committed to the highest quality, fulfilling requirements on time, every time. We pride ourselves on serving our customers and becoming their trusted business partner.

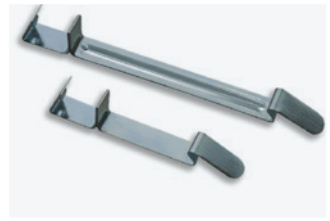
Our custom manufactured components can be found in advanced medical instrumentation, firearms, industrial products such as lighting, air filtration, aerospace, automotive, and more.

Manufacturing precision-engineered springs, wire forms and fourslide stampings for Medical, Firearms and Industrial Applications.

Certified Minority Business Enterprise (MBE)



**SPRINGFIELD  
SPRING & STAMPING**



### When component performance is critical.

- + Custom stampings
- + Compression springs
- + Torsion springs
- + Extension springs
- + Wire forms
- + Lighting clips
- + Air filter holding frame clips
- + Assemblies

### Strategic Partnership

- + 75 years of experience and trusted partner to global manufacturers
- + Support all aspects of product development from design and prototyping to short- or full-run production

### Trusted Quality

- + ISO 13485:2016 (Medical) Registered  
ISO 9001:2015 (Commercial)
- + Dimension Imaging Measuring System with visual inspection ensures adherence to specifications
- + Manage quality documentation with design control and execution of validation protocols

### Responsive, Dedicated

- + Quick turn-around from design to prototype
- + Staffed engineering and manufacturing teams
- + Lean Six Sigma certified
- + Multiple locations for supply chain efficiency

Manufacturing precision-engineered springs, wire forms and fourslide stampings for Medical, Firearms and Industrial Applications.



**SPRINGFIELD**  
**SPRING & STAMPING**

Certified Minority Business Enterprise (MBE)